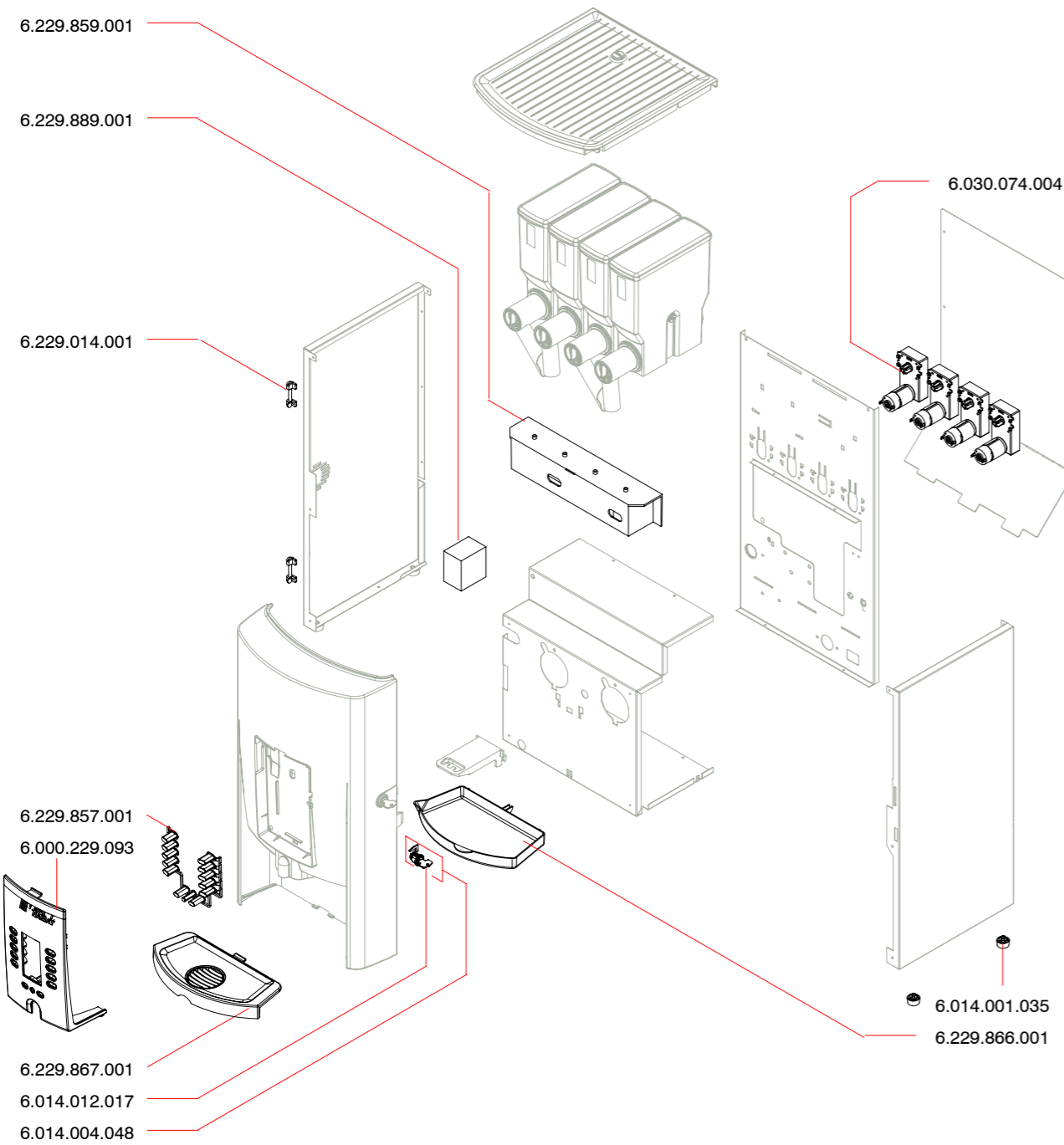
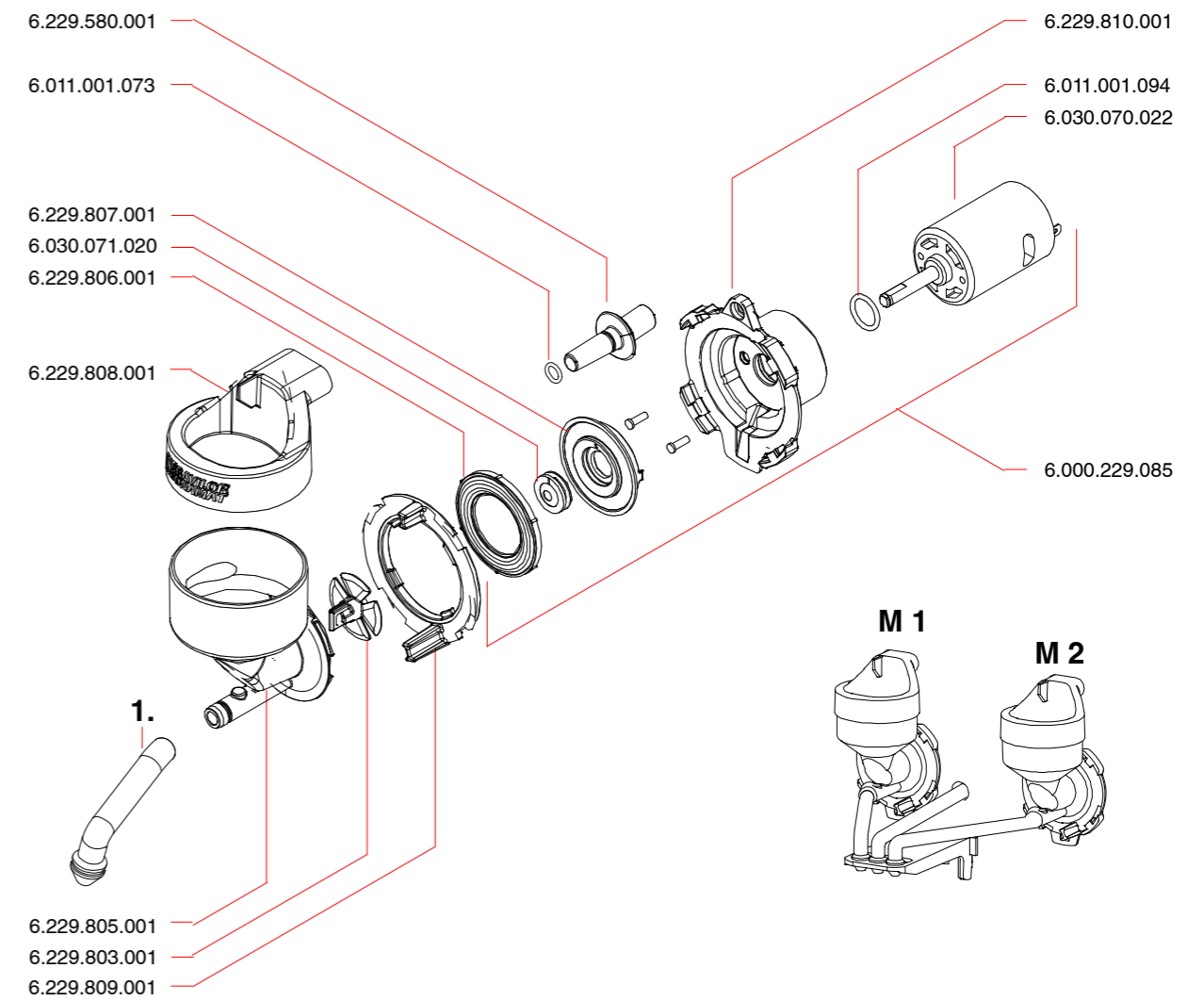


BVI0422



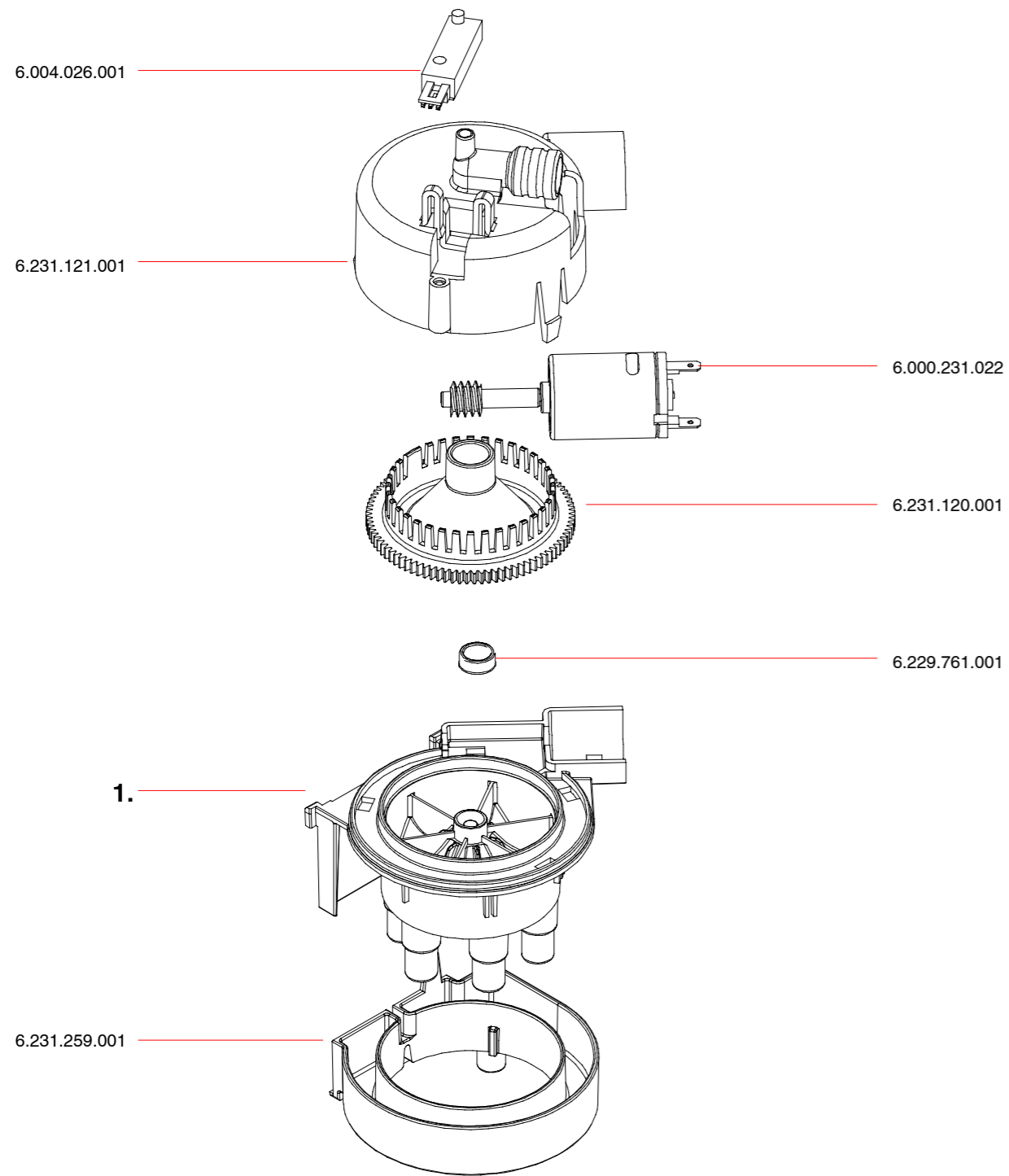
STOCK CODE	DESCRIPTION	MAN.PART NUMBER / DRAWING REF
XBVI1000	QUINTO COFFEE MACHINE - DRIP TRAY	6.229.866.001
XDTP0001	DRIP TRAY PLATE COMPLETE	6.229.867.001
XBVI1023	QUINTO COFFEE MACHINE - PART FOR CANISTER MOTOR	6.030.074.004

BVI0422



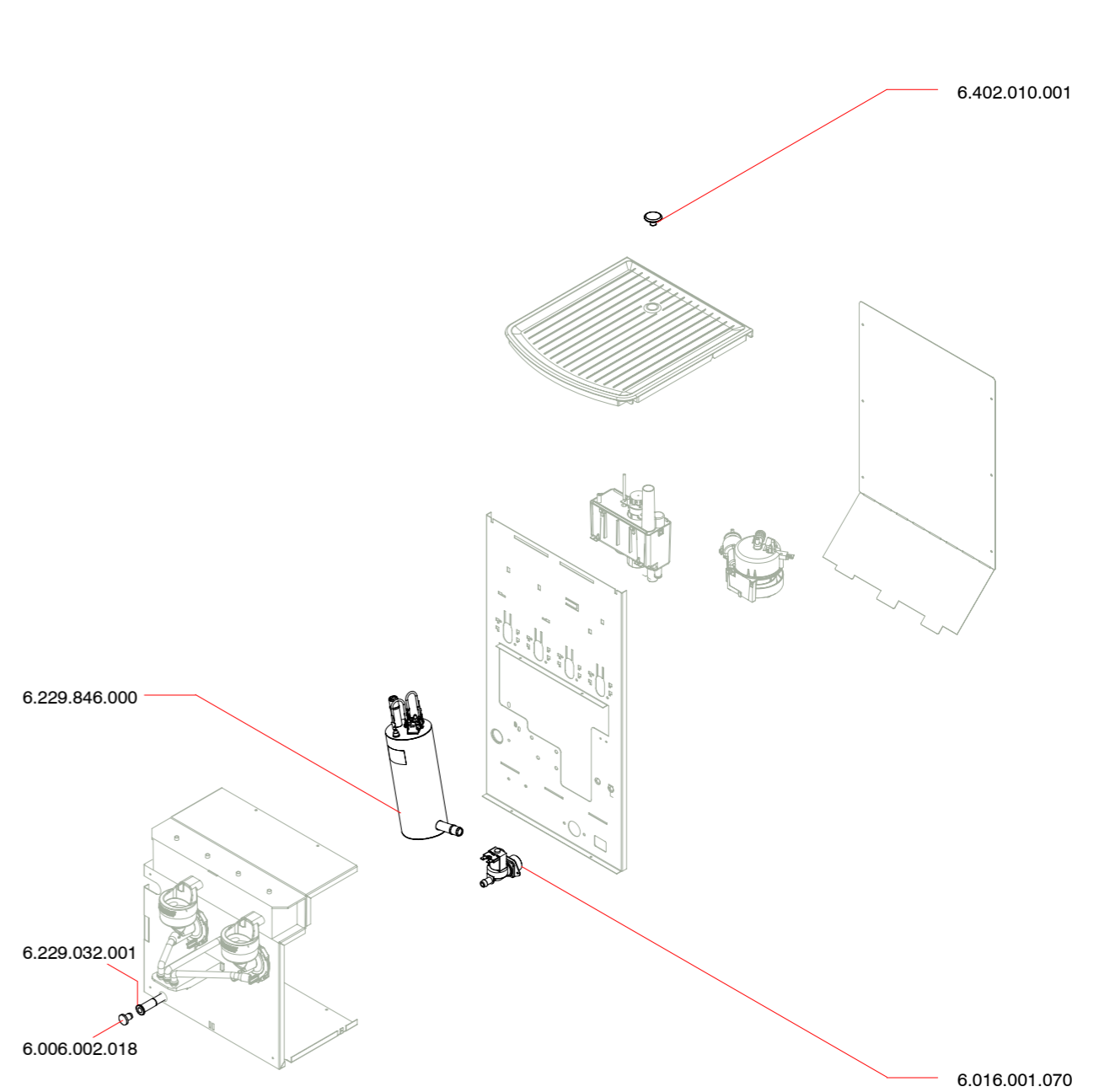
STOCK CODE	DESCRIPTION	MAN.PART NUMBER / DRAWING REF
XBVI9094	QUINTO COFFEE MACHINE - RUBBER SEAL MIXER	6.229.806.001
XBVI1094	QUINTO COFFEE MACHINE - O-RING 13X2	6.011.001.094
XBVI0022	QUINTO COFFEE MACHINE - MIXER MOTOR	6.030.070.022
XBVI9085	QUINTO COFFEE MACHINE - MIXER MOTOR + HOUSING	6.000.229.085
XBVI9089	QUINTO COFFEE MACHINE - MIXING CHAMBER	6.229.805.001
XBVI9088	QUINTO COFFEE MACHINE - WHIPPER DISK	6.229.803.001
XBVI9090	QUINTO COFFEE MACHINE - FASTENING RING	6.229.809.001
XBVI9091	QUINTO COFFEE MACHINE - OUTLET	6.229.823.001 (REF 1)
XBVI9086	QUINTO COFFEE MACHINE - OUTLET HOSE	6.229.830.001 (REF 1)

BVI0422



STOCK CODE	DESCRIPTION	MAN.PART NUMBER / DRAWING REF
XBVI1022	QUINTO COFFEE MACHINE - MOTOR WATER SELECTOR (ASSY)	6.000.231.022
XBVI2001	QUINTO COFFEE MACHINE - WATER ROTATION DISK	6.231.120.001
XBVI6001	QUINTO COFFEE MACHINE - LIGHT SENSOR	6.004.026.001

BVI0422



STOCK CODE	DESCRIPTION	MAN.PART NUMBER / DRAWING REF
XBVI1070	QUINTO COFFEE MACHINE - MAGNETIC VALVE 21/MIN 24V	6.016.001.070
XABB0001	AIRPOT BREWER BRAVILOR-DESCALE CAP(THA20)	6.402.010.001