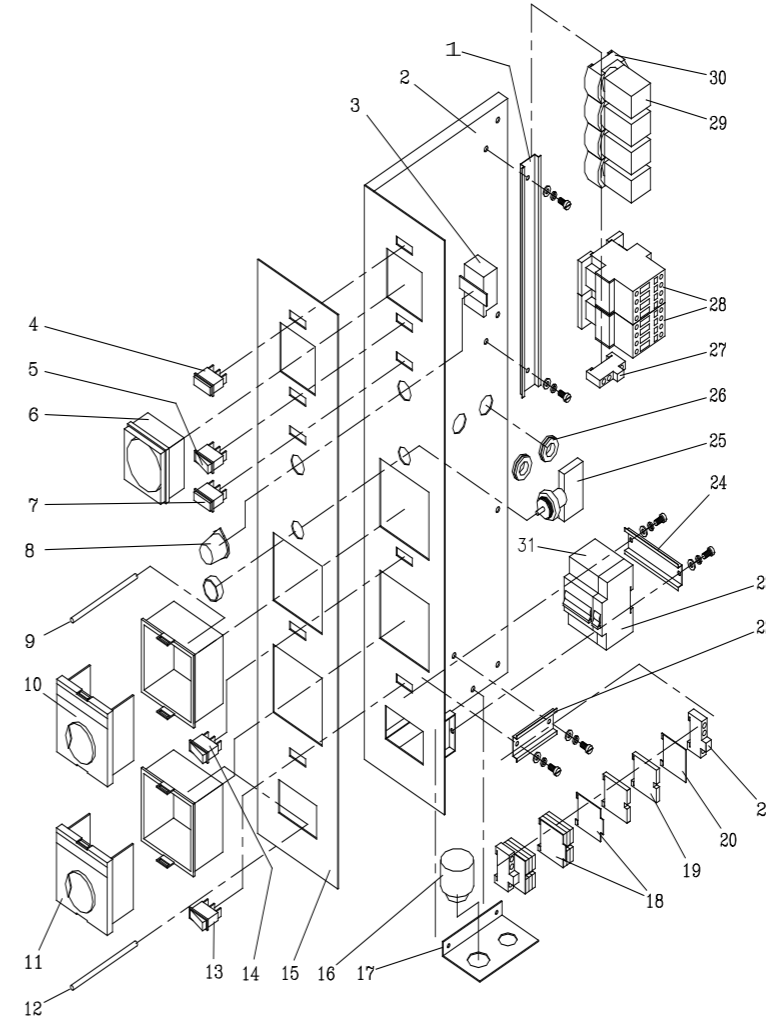
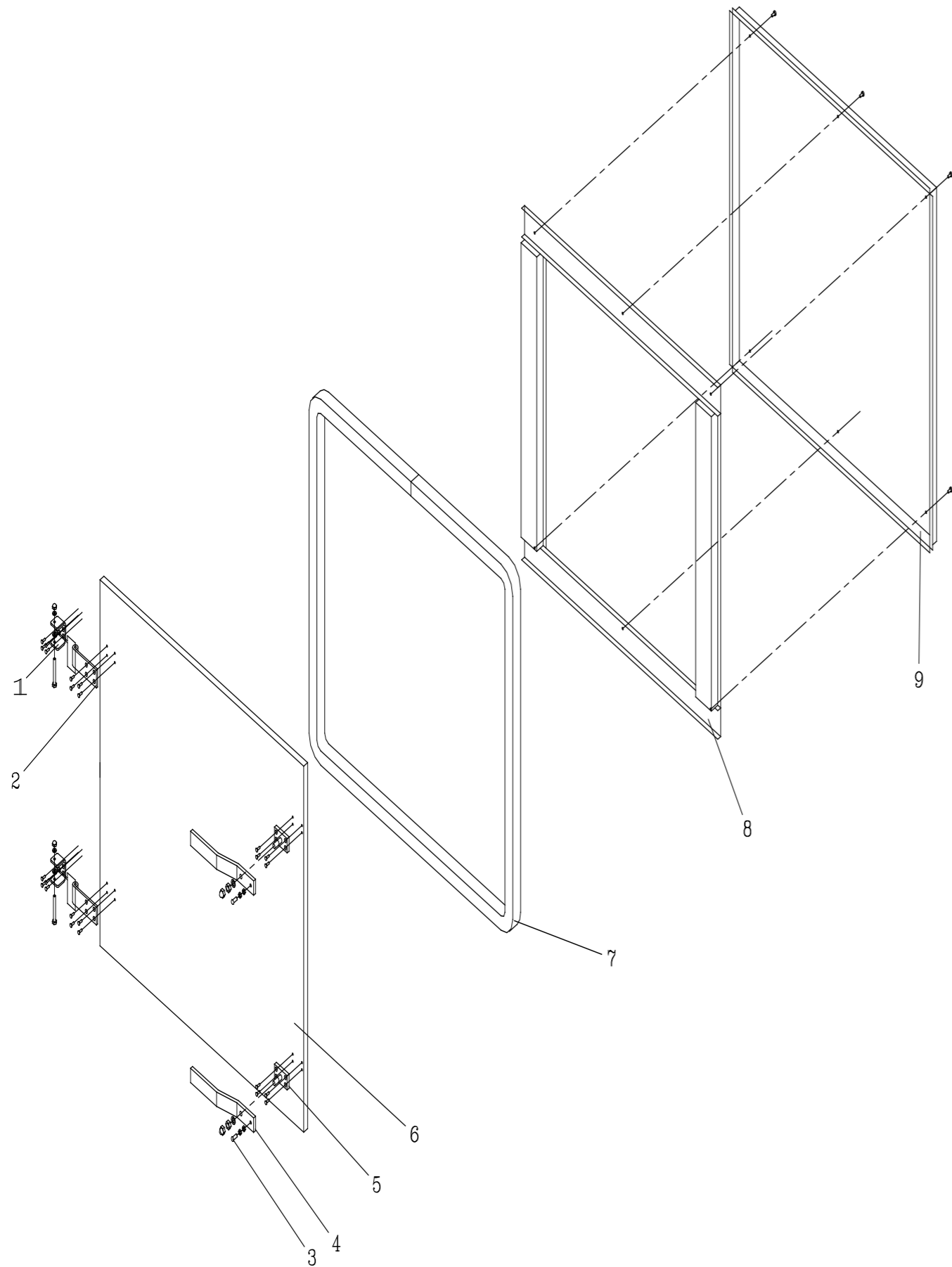


STOCK CODE	DESCRIPTION	MAN.PART NUMBER	DRAWING REF
XBCE0004	COOKER B\QUIP [600] - GRILL ELEMENT	5-1500W-RS-BB	3
XBCE0006	COOKER B\QUIP [600] - LEVEL CONTROL	1-COOKER-LS	4
XBCE0005	COOKER B\QUIP [600] - STEAM ELEMENT	5-3000W-COOKER	5



STOCK CODE	DESCRIPTION	MAN.PART NUMBER	DRAWING REF
XTSA1001	TOASTER ANVIL (TSA1009) - THERMOSTAT	1-EGO-150	3
XSCB0003	SMOKER BUTCHERQUIP [600] - PILOT LIGHT	1-18TRF	4
XWMW0002	WRAPMASTER MAINS ROCKER SWITCH (3-PIN)	1-17TAF	5
XBCE0012	COOKER B\QUIP [600] - 24 HOUR TIMER	1-24HR-TIMER	6
XBCE0009	COOKER B\QUIP [600] - MEAT PROBE 2 WIRE	1-MP-K	9
XBCE0001	COOKER B\QUIP [600]-TEMP CONTROL CORE	1-TCD-200-K	10
XBCE0003	COOKER B\QUIP [600] - TEMP CONT COOKING	1-TCA-200-PT100	11
XBCE0013	COOKER B\QUIP [600] - PT100 PROBE	1-PT100	12
XBCJ0003	COOKER B\QUIP [JNR] - TWO WAY SWITCH	1-16TAF	14
XSCB1003	SMOKER B\QUIP [JNR] - BUZZER	1-ALARM-BELL	16
XDMA0046	DOUGH MIXER ANKOR(ALL)-GREEN START BUTTON	1-PBG-JES0002	25
XCOA8009	CONVEC OVEN ANVIL-CONTACTOR	1-220V-CONT-40A	28
XBCE0014	COOKER B\QUIP [600] - RELAY	1-8PIN-RELAY	29
XDMA0045	DOUGH MIXER ANKOR(ALL)-RELAY BASE	1-8PIN-RELAYBAS	30
XCCB0021	COOKER B/QUIP - 3 PHASE CIRCUIT BREAKER	1-25A-TPCB	31



STOCK CODE	DESCRIPTION	MAN.PART NUMBER	DRAWING REF
XBCE0016	COOKER B\QUIP[JNR]-DOOR HANDLE HINGE PLATE	8-DHHP-COOK	5

