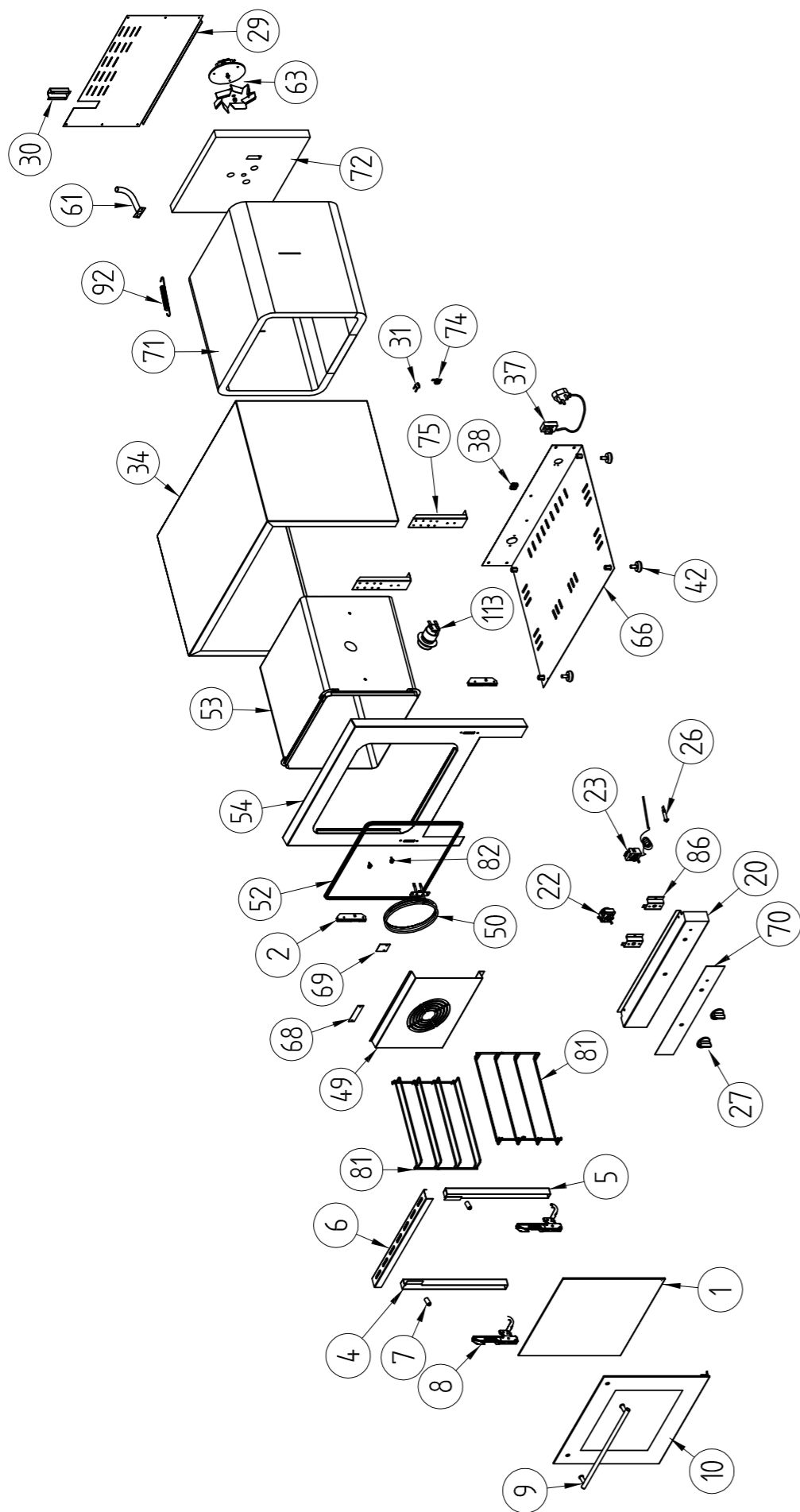


COP5004



COP5004

-  DETAIL 7
-  DETAIL 22
-  DETAIL 23
-  DETAIL 26
-  DETAIL 27
-  DETAIL 31
-  DETAIL 38
-  DETAIL 42
-  DETAIL 74
-  DETAIL 82

BCE CODE	DESCRIPTION	DWG NO.	SUPPLIER CODE
XCOP0067	CONVEC OVEN [PIRON] - INTERNAL GLASS	1	VET30017
XCOP0002	CONVEC OVEN [PIRON] - DOOR HINGE	8	7424000003
XCOP0024	CONVEC OVEN [PIRON] - DOOR HANDLE	9	MAG30008
XCOP0065	CONVEC OVEN [PIRON] - EXTERNAL GLASS WITH HINGES	10	VET00021
XCOP0040	CONVEC OVEN [PIRON] - TIMER 120 MINUTE	22	PRG30001
XCOP0057	CONVEC OVEN [PIRON] - THERMOSTAT	23	TER30003
XCOP0018	CONVEC OVEN [PIRON] - PILOT LIGHT	26	IND30002
XCOP0026	CONVEC OVEN [PIRON] - CONTROL KNOB	27	MAN30014
XCOP0028	CONVEC OVEN [PIRON] - TERMINAL BLOCK CLAMP	38	MOR30001
XCOP0038	CONVEC OVEN [PIRON] - ADJUSTABLE FOOT	42	PIE30001
XCOP0045	CONVEC OVEN [PIRON] - ELEMENT (2500W)	50	RES30003
XCOP0014	CONVEC OVEN [PIRON] - GASKET (500)	52	GUA30002 (500)
XCOP0032	CONVEC OVEN [PIRON] - FAN MOTOR + CONDENSOR	63	MOT30005
XCOP0056	CONVEC OVEN [PIRON] - SAFETY THERMOSTAT	74	TER30002
XCOP0035	CONVEC OVEN [PIRON] - SUPPORT DOOR BULB	82	PIA30014
XCOP0021	CONVEC OVEN [PIRON] - COMPLETE LAMP	113	LAM30004

