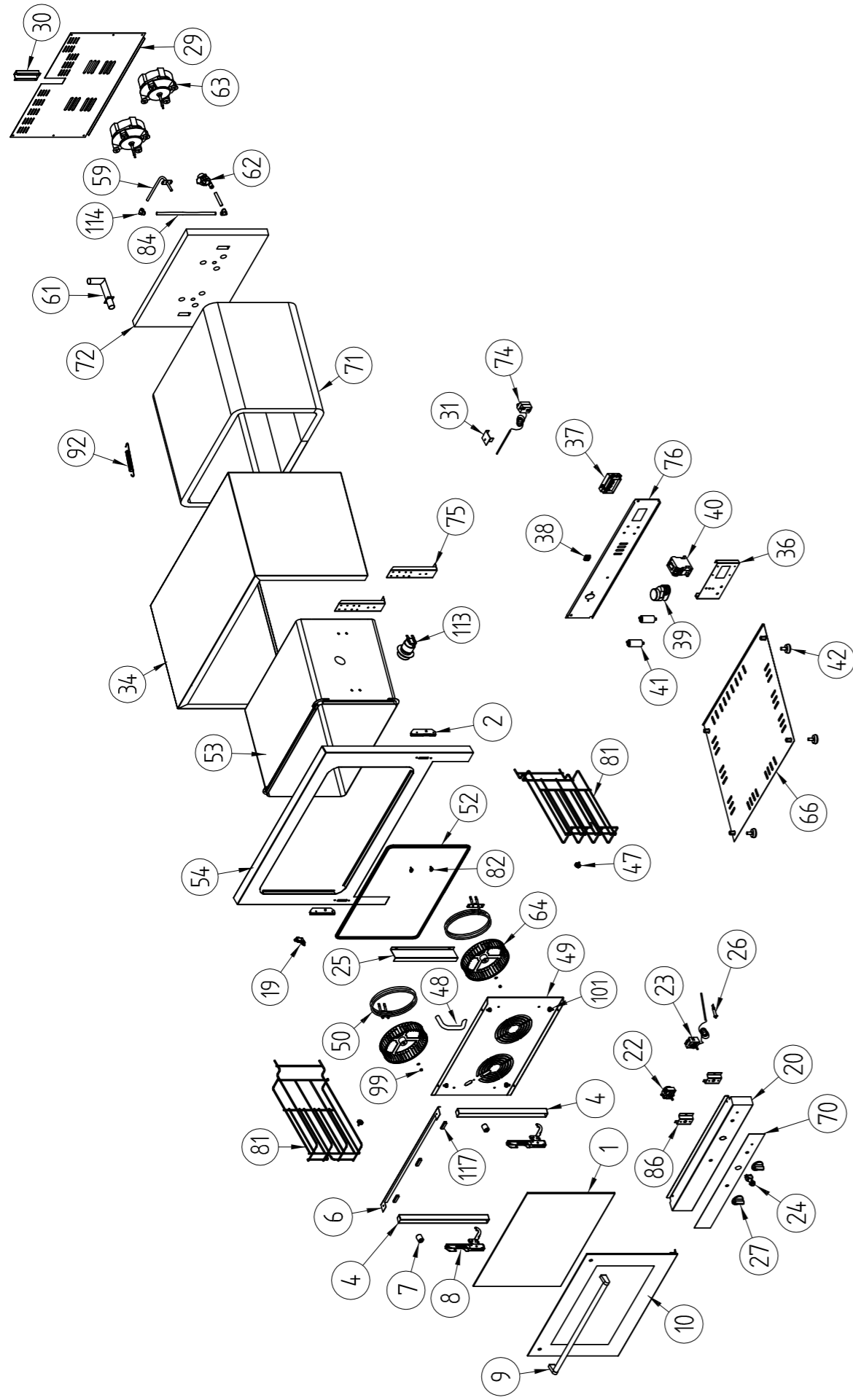


COP8004



COP8004

 DETAIL 7	 DETAIL 31	 DETAIL 62
 DETAIL 19	 DETAIL 38	 DETAIL 74
 DETAIL 22	 DETAIL 37	 DETAIL 82
 DETAIL 23	 DETAIL 39	 DETAIL 99
 DETAIL 24	 DETAIL 40	 DETAIL 101
 DETAIL 26	 DETAIL 42	 DETAIL 114
 DETAIL 27	 DETAIL 47	 DETAIL 117

BCE CODE	DESCRIPTION	DWG NO.	SUPPLIER CODE
XCOP0068	CONVEC OVEN [PIRON] - INTERNAL GLASS	1	VET30046
XCOP0001	CONVEC OVEN [PIRON] - HINGE BRACKET	2	7424000002
XCOP0003	CONVEC OVEN [PIRON] - DOOR HINGE	8	CER30003
XCOP0025	CONVEC OVEN [PIRON] - DOOR HANDLE	9	MAG30015
XCOP0066	CONVEC OVEN [PIRON] - EXTERNAL GLASS WITH HINGES	10	VET00045
XCOP0044	CONVEC OVEN [PIRON] - DOOR SWITCH	19	PUL30004
XCOP0040	CONVEC OVEN [PIRON] - TIMER 120 MINUTE	22	PRG30001
XCOP0057	CONVEC OVEN [PIRON] - THERMOSTAT	23	TER30003
XCOP0018	CONVEC OVEN [PIRON] - PILOT LIGHT	26	IND30002
XCOP0026	CONVEC OVEN [PIRON] - CONTROL KNOB	27	MAN30014
XCOP0029	CONVEC OVEN [PIRON] - TERMINAL BLOCK	37	MOR30002
XCOP0028	CONVEC OVEN [PIRON] - TERMINAL BLOCK CLAMP	38	MOR30001
XCOP0043	CONVEC OVEN [PIRON] - PROGRAM CAM	39	PRG30005
XCOP0055	CONVEC OVEN [PIRON] - CONTACTOR	40	TEL30002
XCOP0005	CONVEC OVEN [PIRON] - CONDENSOR	41	CON30001
XCOP0038	CONVEC OVEN [PIRON] - ADJUSTABLE FOOT	42	PIE30001
XCOP0069	CONVEC OVEN [PIRON] - SCREW FOR TRAY RACK	47	VIT30001
XCOP0047	CONVEC OVEN [PIRON] - ELEMENT (3000W)	50	RES30010
XCOP0015	CONVEC OVEN [PIRON] - GASKET (800)	52	GUA30002 (800)
XCOP0007	CONVEC OVEN [PIRON] - ELECTRIC VALVE - SINGLE	62	ELE30004
XCOP0031	CONVEC OVEN [PIRON] - FAN MOTOR + CONDENSOR	63	MOT30004
XCOP0060	CONVEC OVEN [PIRON] - FAN ONLY	64	VEN30003
XCOP0010	CONVEC OVEN [PIRON] - CONTROL FACIA	70	FRO30165
XCOP0059	CONVEC OVEN [PIRON] - SAFETY THERMOSTAT	74	TER30010
XCOP0021	CONVEC OVEN [PIRON] - COMPLETE LAMP	113	LAM30004
XCOP0070	CONVEC OVEN [PIRON] - GASKET FOR GLASS	117	GUA30004

