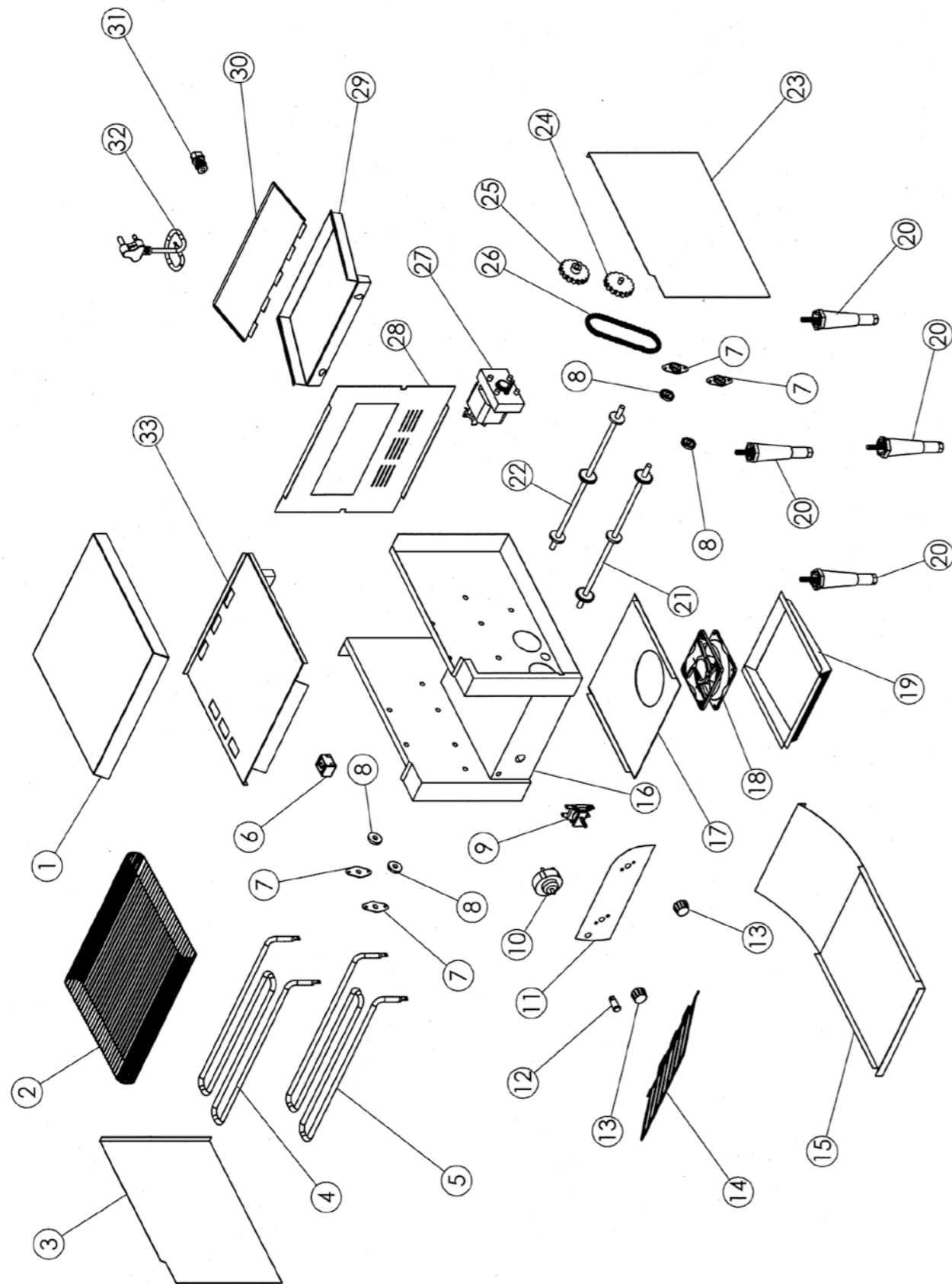


CTK0001



CTK0001

STOCK CODE	DESCRIPTION	MAN.PART NUMBER	DRAWING REF
XCTK0007	CONVEYOR TOASTER ANVIL-CONVEYOR BELT	7-BELT-CTK0001	2
XCTK0001	CONVEYOR TOASTER ANVIL-BOTTOM ELEMENT	5-1300W-CTK0001	4
XCTK0020	CONVEYOR TOASTER - NEW UPPER ELEMENT	5-1690W-CTK0001	5
XPMK4000	POPCORN MACHINE 16OZ - TERMINAL BLOCK	3-PTB-TSA1009	6
XCTK0018	CONVEYOR TOASTER ANVIL - BEARING	7-BEA-CTK0001	8
XCTK0005	CONVEYOR TOASTER -HEAT SELECTOR (STAGE) SWITCH	1-SW-CTK0001	9
XCTK0003	CONVEYOR TOASTER ANVIL-SPEED CONTROL	1-SC-CTK0001	10
XCTK0019	CONVEYOR TOASTER - FACIA PANEL	4-FACIA-CTK0001	11
XFFA0002	ANVIL FRYER - PILOT LIGHT	1-PL-GP	12
XCTK0006	CONVEYOR TOASTER/ PIZZA ANVIL-CONTROL KNOB	3-KNOB-CTK0001	13
XCTK0022	CONVEYOR TOASTER - BREAD FEED CHUTE (TRAY)	8-DC-CTK0001	15
XCTK0012	CONVEYOR TOASTER ANVIL-FAN	1-FAN-CTK0001	18
XCTK0017	CONVEYOR TOASTER ANVIL-ADJUSTABLE FOOT	7-AF-CTK0001	20
XCTK0009	CONVEYOR TOASTER ANVIL-FRONT AXLE	7-FA-CTK0001	21
XCTK0008	CONVEYOR TOASTER ANVIL-REAR AXLE	7-RA-CTK0001	22
XCTK0013	CONVEYOR TOASTER ANVIL - DRIVE WHEEL	7-DW-CTK0001	24
XCTK0016	CONVEYOR TOASTER ANVIL-DRIVE SPROCKET	7-PW-CTK0001	25
XCTK0015	CONVEYOR TOASTER ANVIL-DRIVE CHAIN	7-DC-CTK0001	26
XCTK0004	CONVEYOR TOASTER ANVIL-GEARED MOTOR	1-MOT-CTK0001	27
XPWK1042	PIE WARMER (PWK0002/4/5/1002) - CABLE GLAND	3-CABLE-GLAND	31
XPMA0017	CREPE MACHINE - POWER CORD	2-PC-CE-CP	32

