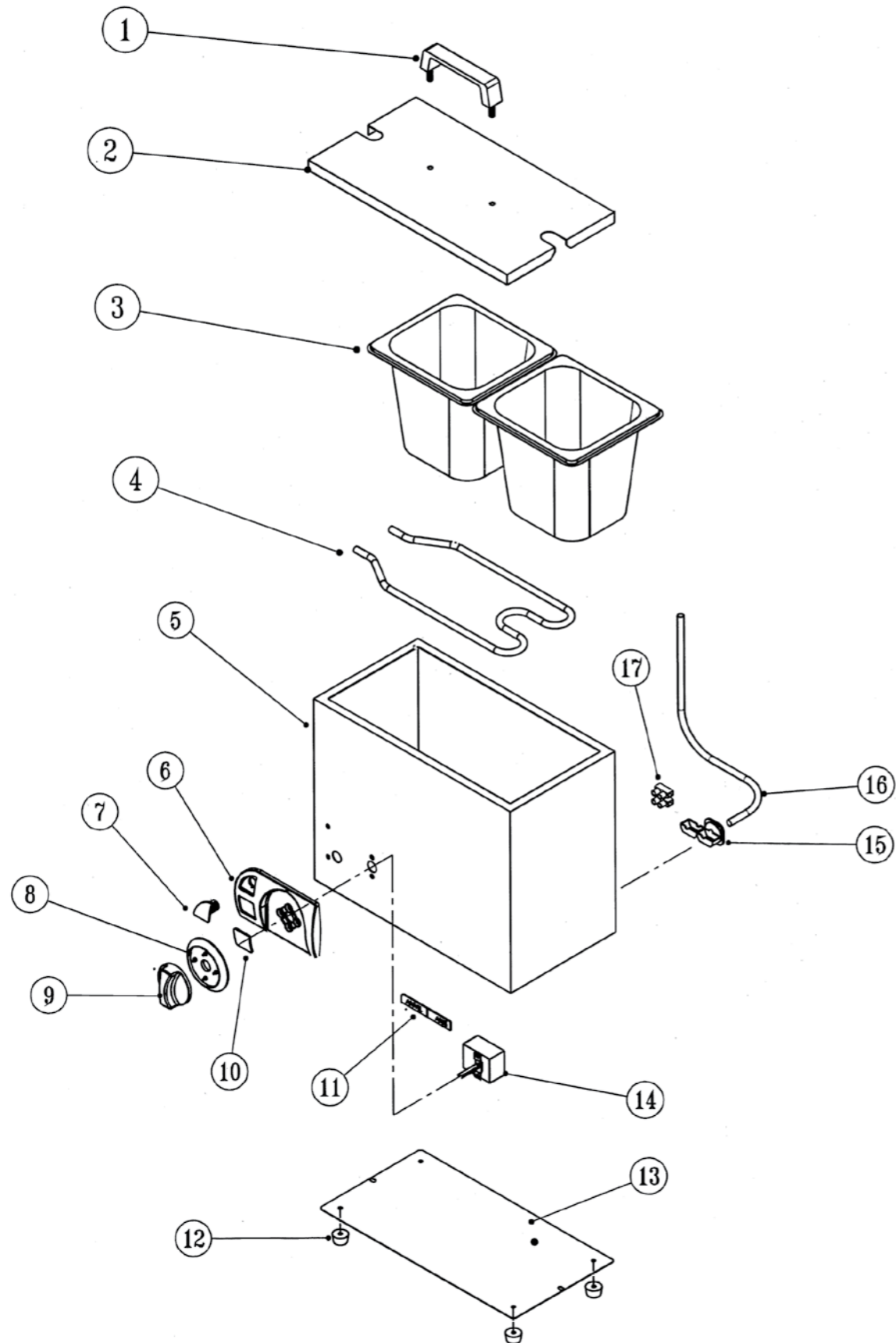


DLA0002

DLA0002



STOCK CODE	DESCRIPTION	MAN.PART NUMBER	DRAWING REF
XDLA0006	DIP A LAIT ANVIL - PLASTIC HANDLE	3-PH-WAP	1
XDLA0001	DIP A LAIT ANVIL - SPARE ELEMENT	5-125W-DIPALAY	4
XKNB0010	CONTROL PANEL FASICA AXIS	3-CPF-AXIS	6
XKNB0035	PILOT LIGHT RED 230V	1-PL-BMA0001	7
XKNB0027	CONTROL PANEL BEZEL AXIS ENERGY REGULATOR SCALE 0-6	3-CPB-BMA0001	8
XDLA0004	DIP A LAIT ANVIL - CONTROL KNOB	3-CK-AXIS	9
XKNB0039	CONTROL PANEL INSERT THERMOSTAT/ENERGY REGULATOR	4-CPI-TEMP	10
XKNB0006	DOMED LOGO LARGE AXIS	4-DL-L-AXIS	11
XTSA1015	TOASTER ANVIL (TSA1009) - RUBBER FOOT	3-S-RDS	12
XDLA0007	ANVIL DIP A LAIT (DLA0001)BOTTOM COVER	82-DIP-MS-BOTCV	13
XDLA0002	DIP A LAIT ANVIL - ENERGY REGULATOR	1-ER-URS0012	14
XTSA0010	TOASTER ANVIL (TSA1009) - CABLE CLAMP	3-CG-1.5	15
XPCB0002	POWER CORD WITH PLUG-BLACK 16A (1.5m)	2-PC-CE-DR	16
XFFA0006	ANVIL FRYER - CONNECTING BLOCK	3-FF-CB	17

