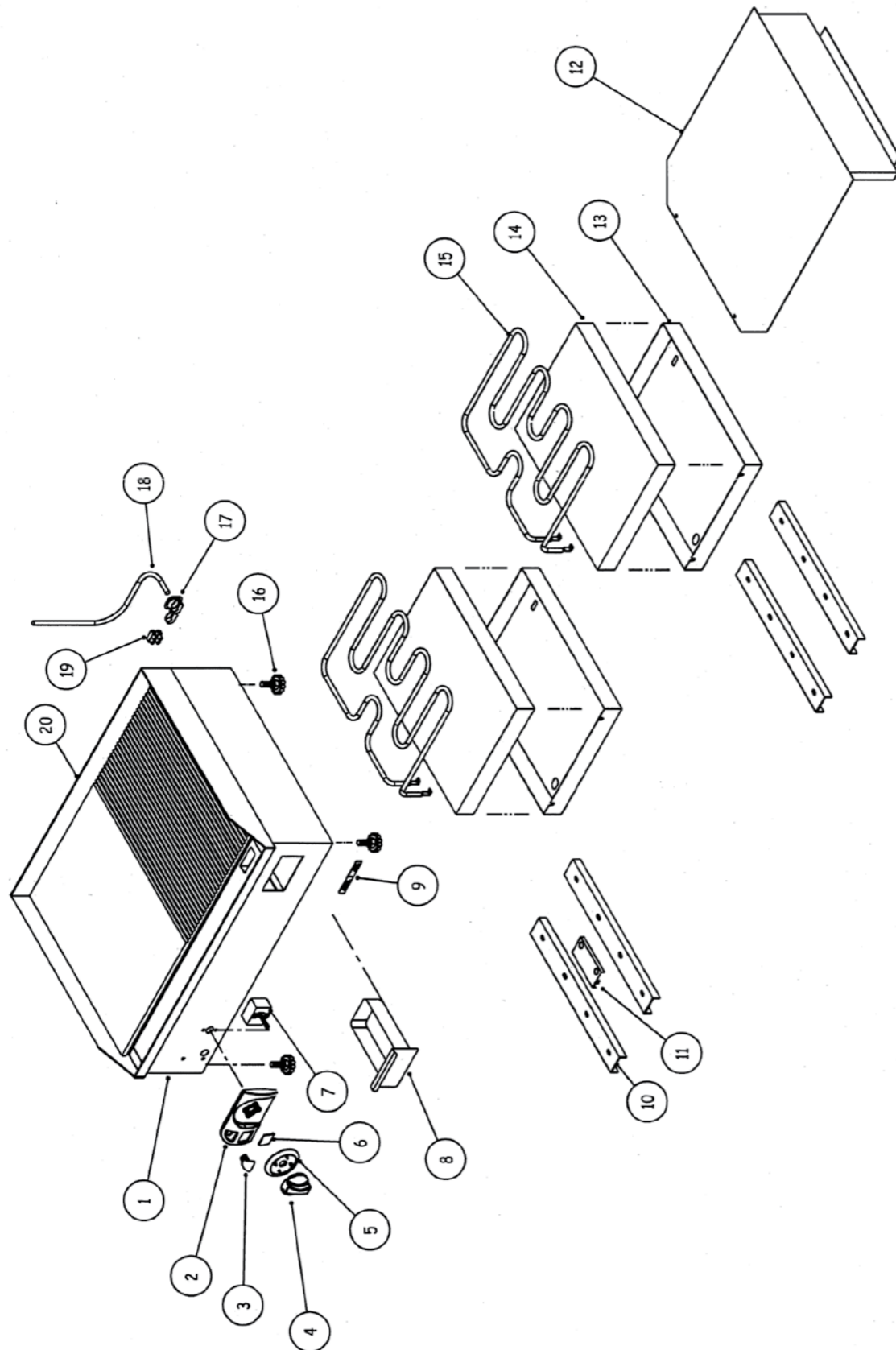


FTA2600

FTA2600



| STOCK CODE | DESCRIPTION | MAN.PART NUMBER | DRAWING REF |
|------------|---|-----------------|-------------|
| XKNB0010 | CONTROL PANEL FASICA AXIS | 3-CPF-AXIS | 2 |
| XKNB0035 | PILOT LIGHT RED 230V | 1-PL-BMA0001 | 3 |
| XKNB0001 | CONTROL KNOB [AXIS] - RED | 3-CK-AXIS | 4 |
| XKNB0030 | CONTROL PANEL BEZEL AXIS THERMOSTAT SCALE 50-300C | 3-CPB-FTA0400 | 5 |
| XKNB0039 | CONTROL PANEL INSERT THERMOSTAT/ENERGY REGULATOR | 4-CPI-TEMP | 6 |
| XTSA1001 | TOASTER ANVIL (TSA1009) - THERMOSTAT | 1-EGO-150 | 7 |
| XFTA0006 | FLAT TOP ANVIL - FAT TRAY | 82-EGC-SS-THAND | 8 |
| XKNB0006 | DOMED LOGO LARGE AXIS | 4-DL-L-AXIS | 9 |
| XFTA0001 | FLAT TOP ANVIL - ELEMENT 1500W (600mm) | 5-1500W-GRILLER | 15 |
| XFTA1002 | FLAT TOP ANVIL - ADJUSTABLE FEET | 3-ADJ-PF | 16 |
| XTSA0010 | TOASTER ANVIL (TSA1009) - CABLE CLAMP | 3-CG-1.5 | 17 |
| XPMA0017 | CREPE MACHINE - POWER CORD | 2-PC-CE-CP | 18 |
| XFFA0006 | ANVIL FRYER - CONNECTING BLOCK | 3-FF-CB | 19 |