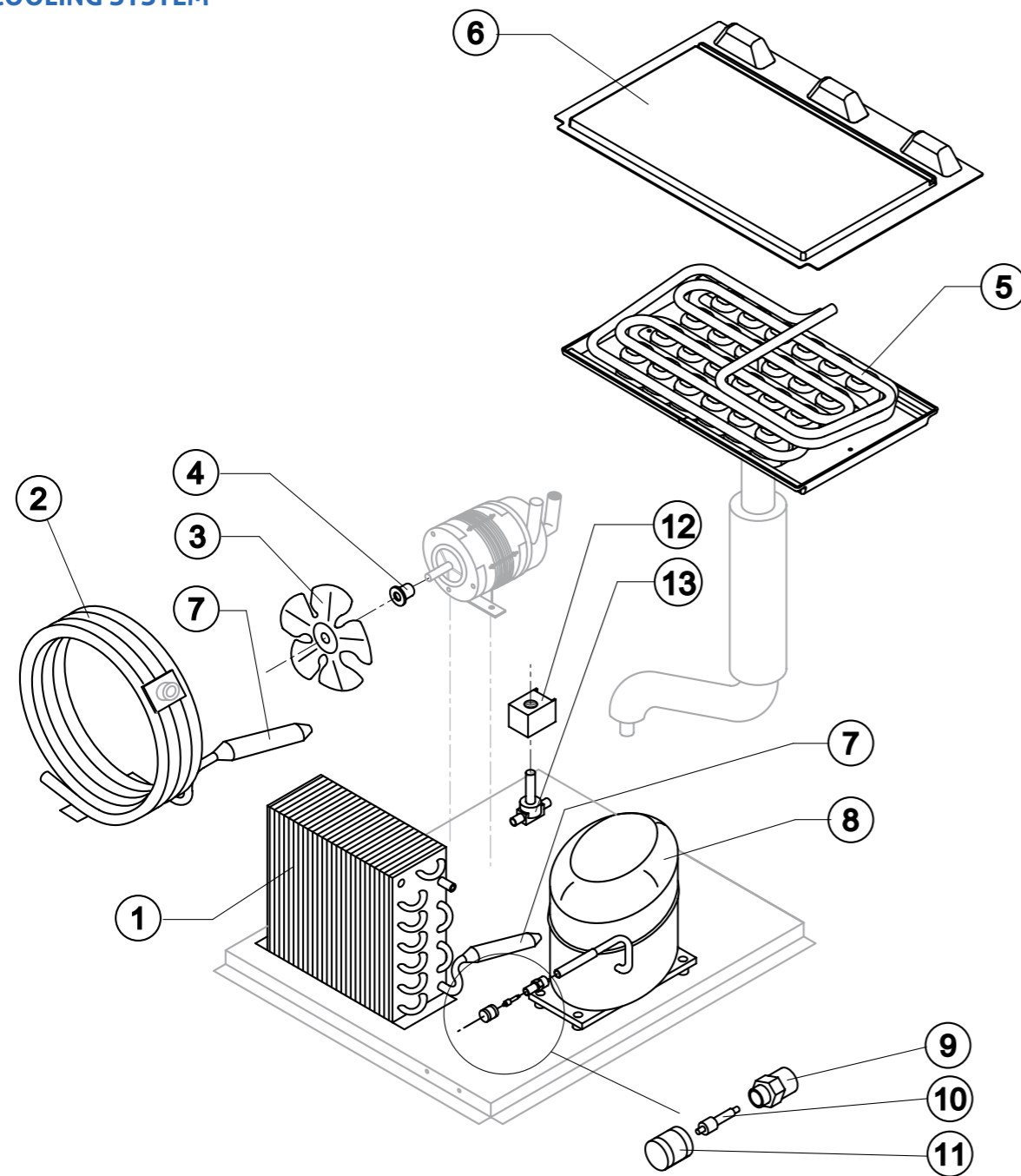


IMB0028

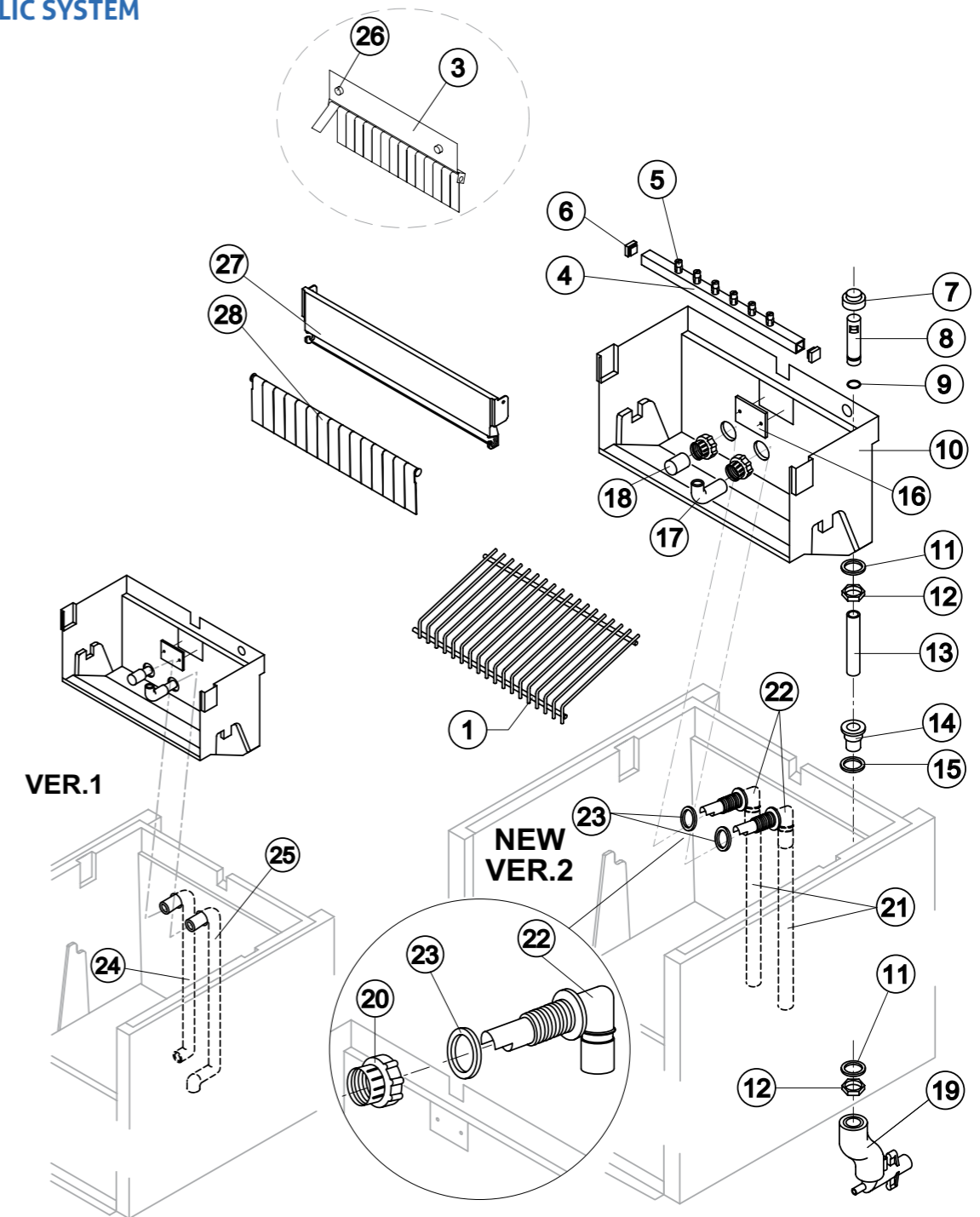
COOLING SYSTEM



STOCK CODE	DESCRIPTION	MAN.PART NUMBER	DRAWING REF
XIMB3657	ICE MAKER BREMA- SUCTION FAN (ALL)	10213	3
XIMB3658	ICE MAKER BREMA- HUB FOR FAN (ALL)	10014	4
XIMB3441	ICE MAKER BREMA - (CB316) COMPRESSOR	23441	8
XIMB3091	ICE MAKER BREMA - (VM ALL)HOT GAS COIL	23091	12

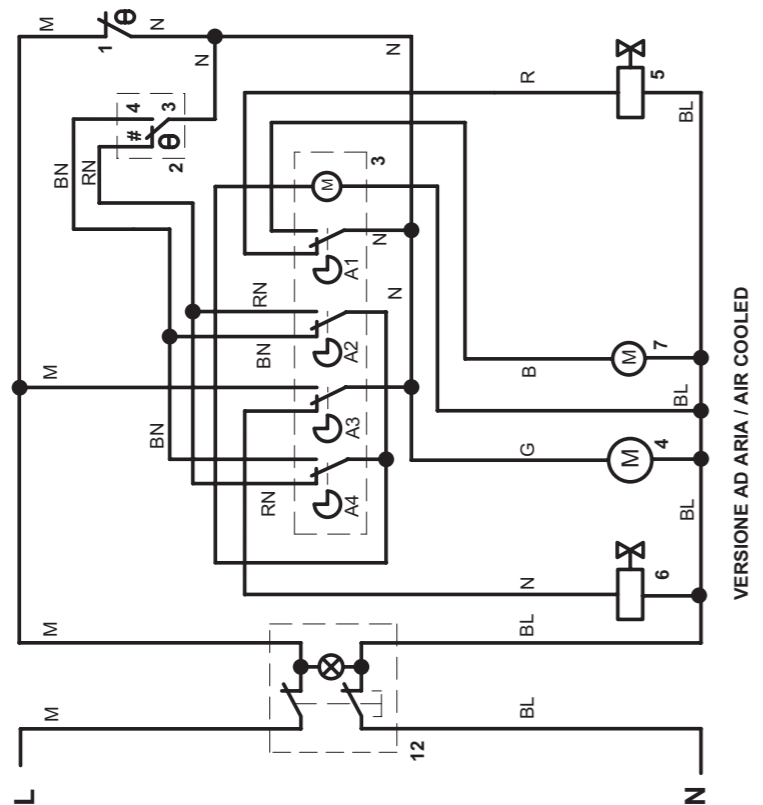
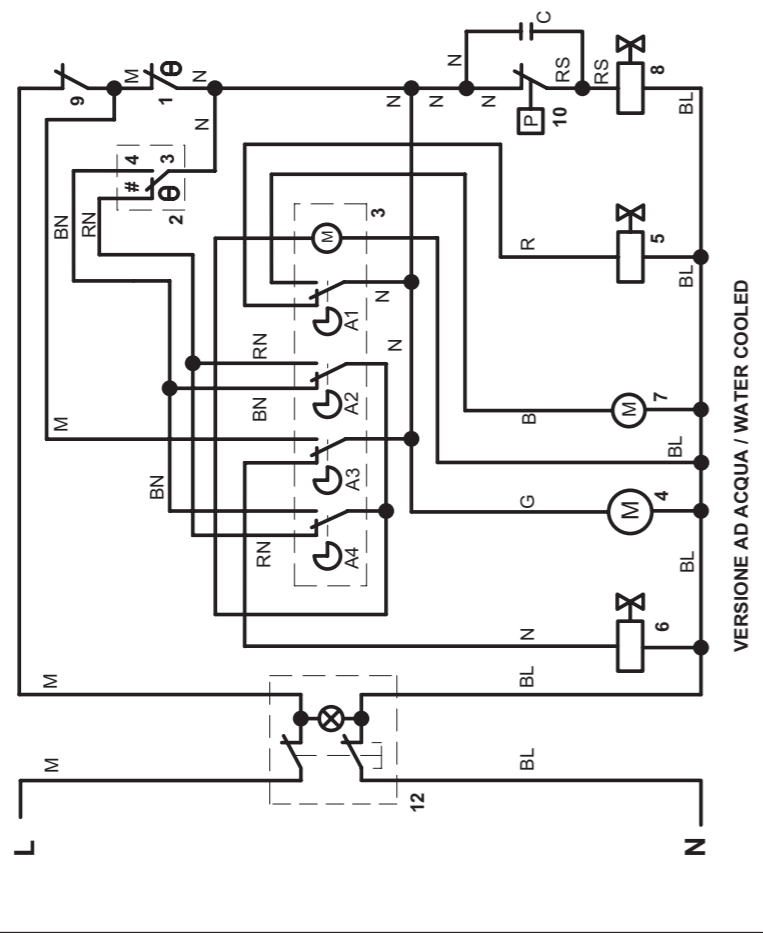
IMB0028

HYDRAULIC SYSTEM

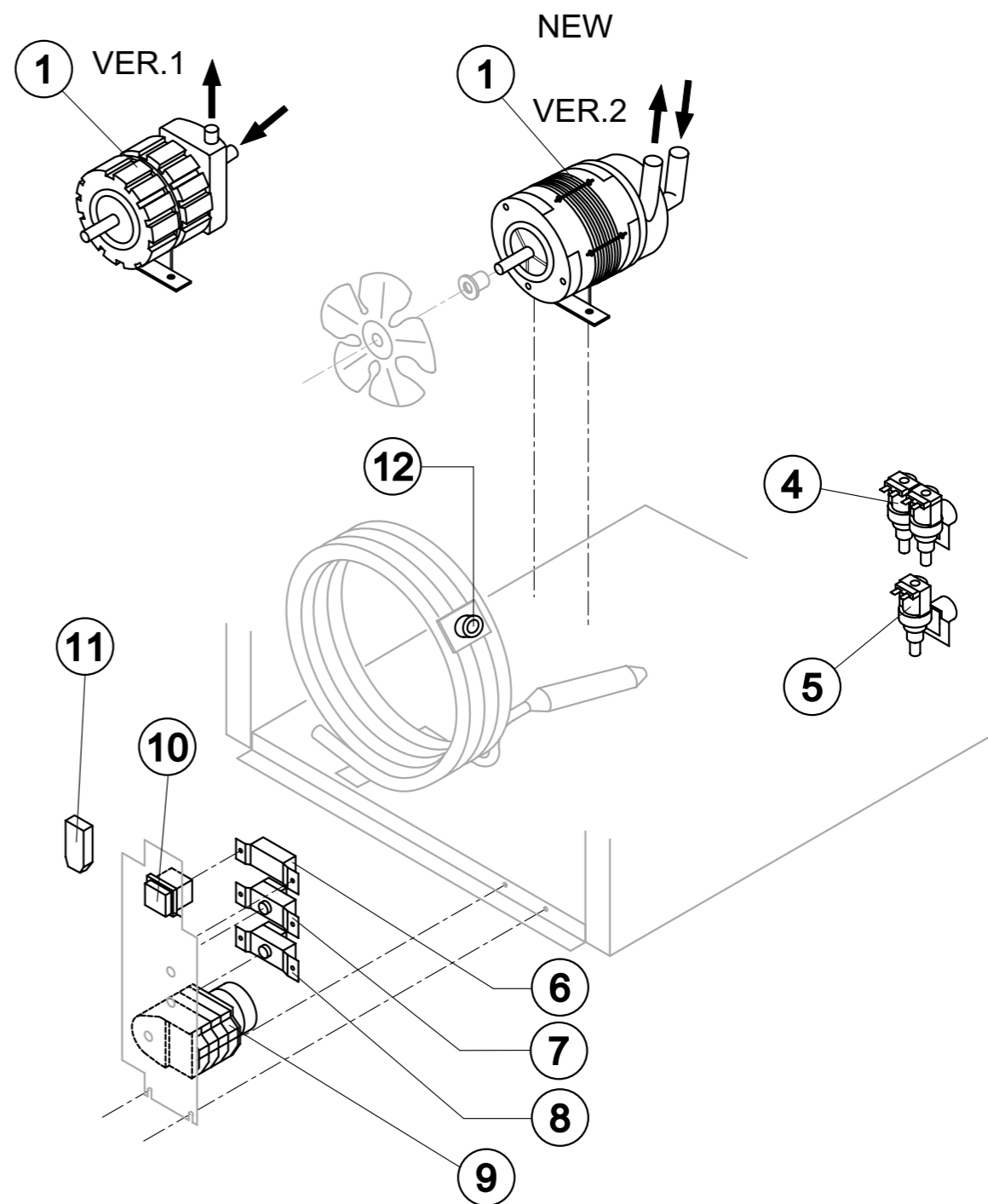


STOCK CODE	DESCRIPTION	MAN.PART NUMBER	DRAWING REF
XIMB0002	ICE MAKER BREMA -(CB)(VM350/500) SPRAYER NOZZLES	D20002	5
XIMB0305	ICE MAKER BREMA -(CB)(ALL) -OVERFLOW CAP	10305	7
XIMB0133	ICE MAKER BREMA -(CB)(ALL) OVERFLOW PIPE	10133	8
XIMB0233	ICE MAKER BREMA -(CB)(ALL) O' RING	20233	9
XIMB3006	ICE MAKER BREMA (CB)(ALL)SILICONE GASKET	13006	15
XIMB2005	ICE MAKER BREMA - (VM) (ALL) SUCTION FILTER	20005	18
XIMB0009	ICE MAKER BREMA-(ALL) SCREW FOR SPRAYER	20009	26

WIRING DIAGRAM



ELECTRICAL PARTS



STOCK CODE	DESCRIPTION	MAN.PART NUMBER	DRAWING REF
XIMB3377	ICE MAKER BREMA-(CB249/316/425/640/955) PUMP	C23377	1
XIMB3650	ICE MAKER BREMA-2 WAY VALVE (IMB0028)	23542	4
XIMB3647	ICE MAKER BREMA-PRESURE SWITCH (IMB0155)	23175	5
XIMB3005	ICE MAKER BREMA-(CB)(VM350/900)BIN THERM	R23005	7
XIMB3591	ICE MAKER BREMA-(CB)(ALL) EVAP. THERMO	R23591	8
XIMB3222	ICE MAKER BREMA - (CB)(ALL) TIMER 12 MIN	23222	9
XIMB3646	ICE MAKER BREMA-TIMER (IMB0155)	23247	9
XIMB3651	ICE MAKER BREMA-SAFETY THERMOS.(IMB0028)	C23114	12